

TABLE OF CONTENTS

FOOD

Beef Burgers	2-3
Veggie Burgers	4-5
Burger Buns	6-7
Bagels	8
Cheese	9
Fried Chicken	10-11
Hot Dog	12
Fish	13
Fries & Wedges	14
Appetizers	15
Foster Sauces	16-17
More Sauces	18
Sauce Cups	19
Pasta	20
Divers	21
Soft Ice & Milkshake	18
Desserts	19

NON-FOOD

Burger Boxes	24
Burger Paper	25
Scoops & Trays	26
Buckets & Boxes	27
Paper Bags	28
Kids Toys & Boxes	29
Cups & Lids	30
More Disposables	31
Sauce Dispensers	32-33
Serving Trays & Baskets	34
Equipment	35
Henny Penny	36-37



We guarantee the best quality

BRC and **HALAL** certificates.
Quality control by us and our suppliers.
Temp. tracking in storage and transport.
Regular control of goods.



Original **HAMBURGER**

*TRADITIONAL
AUTHENTIC
CLASSIC*



BEEF BURGERS

8 - 14 CM



45 - 200 G



SELECT
96% BEEF

Made of normal quality beef, addition of taste improvers and spices.



EXCEL
97% BEEF

Made of first quality beef, addition of taste improvers and spices.



HALAL
100% BEEF

Made of prime cattle of which the better pieces are used, no additives.



BURGERS
69% BEEF

Made of second quality beef and lightly seasoned.

REF	DESCRIPTION	L(cm)	W(cm)	H(cm)	PCS(#)
2032	BEEFBURGER SELECT 45G	10.5	8.0	0.6	134
2036	BEEFBURGER SELECT 50G	10.7	8.7	0.6	100
2035	BEEFBURGER SELECT 55G	11.0	9.0	0.7	100
2033	BEEFBURGER SELECT 73.5G	12.0	12.0	0.6	82
2031	BEEFBURGER SELECT 100G	12.0	12.0	0.8	66
2034	BEEFBURGER SELECT 125G	14.0	14.0	0.9	42

REF	DESCRIPTION	L(cm)	W(cm)	H(cm)	PCS(#)
2020*	BEEFBURGER EXCEL 45G	10.5	8.0	0.6	134
2025	BEEFBURGER EXCEL 55G	11.0	9.0	0.7	100
2029	BEEFBURGER EXCEL 125G	14.0	14.0	0.9	42

REF	DESCRIPTION	L(cm)	W(cm)	H(cm)	PCS(#)
2040	BEEFBURGER PREMIUM HALAL 45G	9.5	11.5	0.6	150
2041	BEEFBURGER PREMIUM HALAL 80G	12.0	13.0	0.8	75
2042	BEEFBURGER PREMIUM HALAL 90G	11.3	13.0	0.9	60
2043	BEEFBURGER PREMIUM HALAL 100G	12.0	13.0	0.9	60
2044	BEEFBURGER PREMIUM HALAL 180G	15.5	16.5	1.0	24
2045	BEEFBURGER GOURMET HALAL 200G	10.0	10.0	3.0	36
2046	BEEFBURGER ANGUS HALAL 150G	12.0	13.5	1.0	42

REF	DESCRIPTION	L(cm)	W(cm)	H(cm)	PCS(#)
2021*	HAMBURGER 45G	10.5	8.0	0.6	134
2024*	HAMBURGER 55G	11.0	9.0	0.7	100

* items are only available on order, and are not always in stock

BLACK ANGUS

100% Irish beef - 13x13x1.6 cm - 40 pcs
REF 2061



**MOVING
MOUNTAINS®**





VEGGIE BURGERS



AVIKO VEGGIE BURGER

A crispy burger filled with mashed potatoes and crunchy vegetables.

9.0 x 2.2 cm - 60 x 112.5 g
REF 2019



BAMI VEGGIE BURGER

A crispy burger filled with noodles, mixed with herbs, spices and vegetables.

8.0 x 2.2 cm - 18 x 130 g
REF 2070



ARDO QUINOA VEGGIE BURGER

A crispy burger filled with kale, quinoa, potato, carrots & onions

8.5 x 1.5 cm - 75 g - 6 x 1.2 kg bags
REF 2072



MOVING MOUNTAINS VEGGIE BURGER

Beetroot juice, coconut oil, and plant-based proteins and mushrooms

9.0 x 1.5 cm - 20 x 113.5 g
REF 2073



BURGER BUNS



UNSEEDED

REF	DESCRIPTION	Dia(cm)	PCS(#)	
2376	BURGER BUN UNSEEDED 50G	10.0	48 (4x12)	LM
2350	BURGER BUN UNSEEDED 55G	10.0	48 (12x4)	F
2390	BURGER BUN UNSEEDED 55G (4")	10.0	48 (2x24)	F
2392	BURGER BUN UNSEEDED 70G (4.5")	11.5	30 (2x15)	F
2353	BURGER BUN UNSEEDED 80G	12.0	30 (6x5)	F
2394	BURGER BUN UNSEEDED 80G (5")	12.5	30 (2x15)	F



SEEDED

REF	DESCRIPTION	Dia(cm)	PCS(#)	
2377	BURGER BUN SEEDED 50G	10.0	48 (12x4)	LM
2351	BURGER BUN SEEDED 55G	10.0	48 (12x4)	F
2391	BURGER BUN SEEDED 55G (4")	10.0	48 (2x24)	F
2393	BURGER BUN SEEDED 70G (4.5")	11.5	30 (2x15)	F
2352	BURGER BUN SEEDED 80G	12.0	30 (6x5)	F
2378	BURGER BUN SEEDED 83G	12.0	30 (2x15)	LM
2395	BURGER BUN SEEDED 80G (5")	12.5	30 (2x15)	F
2374	BURGER BUN SEEDED 89G	13.0	24 (6x4)	LM



SPECIAL BUNS



BRIOCHE BUN UNSEEDED
11.5 cm - 28 x 85 g
REF 2321



BRIOCHE BUN SEEDED
11.5 cm - 28 x 85 g
REF 2323



BLACK BURGER BUN SEEDED
11.5 cm - 28 x 85 g
REF 2320



RED BURGER BUN SEEDED
11.5 cm - 28 x 85 g
REF 2319



BIG CHEF BRIOCHE (UNSLICED)
11.5 cm - 30 x 105 g
REF 2333



GOURMET BURGER BUN
12.0 cm - 48 x 85 g
REF 2325



POTATO BUN
12.5 cm - 24 x 85 g
REF 2373



SARRASIN BURGER BUN
11.6 cm - 30 x 85 g
REF 2334



DOUBLE CUT SEEDED
10.0 cm - 48 x 77 g
REF 2379



DOUBLE CUT SEEDED
9.5 cm - 24 x 74 g
REF 2367



MEGA BUN SEMOLINA
16.0 cm - 24 x 125 g
REF 2375



DOUBLE SCORED BUN
11.2 cm - 30 x 74 g
REF 2369



CORN-DUSTED BUN
11.2 cm - 30 x 80 g
REF 2370



FLOURED BAP SMALL
10.0 cm - 48 x 50 g
REF 2381



FLOURED BAP LARGE
13.0 cm - 48 x 89 g
REF 2380



BURGER BUN OMG
12.0 cm - 20 x 100 g
REF 2340

VEGAN



BURGER BUN RUSTY
12.0 cm - 40 x 100 g
REF 2341

VEGAN



OVAL BUN SEEDED
12.5 cm - 48 x 67 g
REF 2382



WATERSPLIT SEEDED
17.0 cm - 28 x 80 g
REF 2389



BAKEHOUSE FLOURED BAP LARGE
12.0 cm - 45 x 85 g
REF 2361

BAKEHOUSE



BAGELS

UNSLICED, FULLY BAKED



BAGEL PLAIN
12.0 cm - 30 x 115 g
REF 2300



BAGEL SESAME SEED
12.0 cm - 30 x 115 g
REF 2301



BAGEL ONION
12.0 cm - 30 x 115 g
REF 2302



BAGEL POPPY SEED
12.0 cm - 30 x 115 g
REF 2304



BAGEL MULTIGRAIN
12.0 cm - 30 x 115 g
REF 2305



BAGEL SABER
model 970A
REF 7039



CHEESE



**CHEDDAR
CHEESE SLICES**
(9x88) x 12.3 g - 76x76x3 mm
REF 2101



**EMMENTAL
CHEESE SLICES**
(6x88) x 14.2 g - 76x76x3 mm
REF 2102



**LIQUID CHEDDAR
CHEESE SAUCE**
4 x 1 kg
REF 2108



**TACO
CHEESE SAUCE**
6 x 1.5 kg
REF 2109

**EASY SEPARATION - EXACT PORTIONING
NO CHEESE WASTE - MINIMAL PACKAGING**

Processed cheese is made from natural cheeses that are blended with other ingredients and pasteurized. This creates a smooth, consistent, flavorful cheese that's ideal for sauces and cooking, it melts perfectly on burgers.



Halal FRIED CHICKEN



CHICKEN TENDERS
6 x 1.0 kg | ±53 g
REF 2272



CHICKEN TENDERS
6 x 1.0 kg | ±53 g
REF 2273



CHICKEN TENDERS
5 x 1.0 kg | ±70 g
REF 2241



CHICKEN TENDERS
5 x 1.0 kg | ±70 g
REF 2244



CHICKEN TENDERS
5x 1.0 kg | ±55 g
REF 2223



CHICKEN FILLETS
6 x 1.0 kg | ±100 g
REF 2274



CHICKEN FILLETS
6 x 1.0 kg | ±100 g
REF 2275



CHICKEN FILLET
5 x 1.0 kg | ±98 g
REF 2240



CHICKEN FILLET
5 x 1.0 kg | ±98 g
REF 2248



CHICKEN STRIPS
5 x 1.0 kg | ±20 g
REF 2245



CHICKEN WINGS
5 x 1.0 kg | ±44 g
REF 2243



CHICKEN WINGS
5 x 1.0 kg | ±44 g
REF 2249



CHICKEN WINGS BBQ
6 x 1.0 kg | ±50 g
REF 2270



CHICKEN DRUMSTICKS
5 x 1.0 kg | ±140 g
REF 2242



CORDON BLUE
10 x 1.0 kg | ±120 g
REF 2263



CHICKEN NUGGETS
5 x 1.0 kg | ±20 g
REF 2246



CHICKEN NUGGETS
6 x 1.0 kg | ±20 g
REF 2267



CHICKEN POPS
6 x 1.0 kg | ±10 g
REF 2239



CHICKEN POPCORN
10 x 1.0 kg | ±10 g
REF 2258



CHICKEN CRUNCHIES
10 x 1.0 kg | ±25 g
REF 2260



CHICKEN BURGER
5 x 1.0 kg | ±100 g
REF 2247



CHICKEN BURGER
5 x 1.04 kg | 65 x 80 g
REF 2268



CHICKEN THIGH BURGER
5 x 1.0 kg | ±110 g
REF 2251



CHICKEN STRIPS COOKED
4 x 2.5 kg | ±10 g
REF 2261

OVERVIEW

REF	DESCRIPTION	UNIT(g)	PCS/BAG	BAG(kg)	COATING	SEASONING
2223	FARMER JIM HALAL CHICKEN INNERFILET/TENDERS 5x1KG/5KG	±55	±18	5 x 1.0	breaded	nature
2239	HALAL CHICKEN POPS 6x1KG/6KG	±10	±100	6 x 1.0	breaded	nature
2240	HALAL CHICKENFILET HOT & SPICY 5x1KG - 5KG	±98	±10	5 x 1.0	breaded	hot & spicy
2241	HALAL CHICKEN INNERFILET/TENDERS HOT & SPICY 5x1KG - 5KG	±98	±10	5 x 1.0	breaded	hot & spicy
2242	HALAL CHICKEN DRUMSTICKS HOT & SPICY 5x1KG - 5KG	±140	±7	5 x 1.0	breaded	hot & spicy
2243	HALAL CHICKEN WINGS HOT & SPICY 5x1KG - 5KG	±44	±22	5 x 1.0	breaded	hot & spicy
2244	HALAL CHICKEN INNERFILET/TENDERS 5x1KG/5KG	±70	±14	5 x 1.0	breaded	nature
2245	HALAL COATED H&S CHICKEN STRIPS 5X1KG/5KG	±45	±00	5 x 1.0	breaded	hot & spicy
2246	HALAL BATTERED CHICKEN NUGGETS 5x1KG/5KG	±20	±50	5 x 1.0	battered	nature
2247	HALAL CHICKEN BURGER BATTERED 100G - 5x1KG/5KG	±100	±10	5 x 1.0	battered	nature
2248	HALAL CHICKENFILET 5x1KG - 5KG	±98	±10	5 x 1.0	breaded	nature
2249	HALAL CHICKEN WINGS 5x1KG - 5KG	±44	±22	5 x 1.0	breaded	nature
2251	HALAL CHICKEN AC THIGH BURGER 5x1KG/KG	±110	±9	5 x 1.0	breaded	nature
2258	TYSON HALAL SF POPPIN CHICKEN - 10x1KG/10KG	±10	±100	10 x 1.0	breaded	nature
2260	TYSON HALAL CHICKEN CRUNCHIES 25G - 10x1KG/10KG	±25	±40	10 x 1.0	breaded	nature
2261	HALAL COOKED CHICKEN BREAST FILET STRIPS 4x2.5KG/10KG	±10	±10	4 x 2.5	n/a	nature
2263	HALAL CORDON BLUE - +/- 120G - 10x1kg/10KG	±63	±8	10 x 1.0	breaded	nature
2267	CHICKEN NUGGETS HALAL 20G - 6X1KG/6KG	±20	±50	6 x 1.0	battered	nature
2268	CHICKENBURGER ROUND HALAL 65x80G/5.2KG	±80	65	1 x 5.2	battered	nature
2270	HALAL BARBEQUEWINGS - HOT&SPICY 6x1KG/6KG	±50	±20	6 x 1.0	bbq	hot & spicy
2272	COWBOY JACK CRISPY CHICKEN TENDERS HOT&SPICY 6x1KG	±53	±18	6 x 1.0	breaded	hot & spicy
2273	COWBOY JACK CRISPY CHICKEN TENDERS NATUREL 6x1KG	±53	±18	6 x 1.0	breaded	nature
2274	COWBOY JACK CRISPY CHICKEN FILET HOT & SPICY 6x1KG	±100	±10	6 x 1.0	breaded	hot & spicy
2275	COWBOY JACK CRISPY CHICKEN FILET NATUREL 6x1KG	±100	±10	6 x 1.0	breaded	nature



HOT DOG



HOTDOG
61% CHICKEN & 11% PORK
14 cm - 48 x 45 g
REF 2011



HOTDOG HALAL AVS
100% CHICKEN
17 cm - 80 x 80 g
REF 2012



HOTDOG BEEF
100% BEEF
18 cm - 60 x 90 g
REF 2015



HOTDOG MAXI
61% CHICKEN & 11% PORK
22 cm - 40 x 85 g
REF 2014



OVAL BUN SEEDED
12.5 cm - 48 x 67 g
REF 2382



WATERSPLIT BUN
17 cm - 28 x 80 g
REF 2389



HOTDOG ROLL
15 cm - 48 x 50 g
REF 2383



HOTDOG ROLL
21.5 cm - 48 x 85 g
REF 2384



HOTDOG BAG
18 cm - 5000 pcs
REF 0202



HOTDOG SLEEVE
18 cm - 1000 pcs
REF 0201



HOTDOG SLEEVE
23 cm - 1000 pcs
REF 0200



KETCHUP SQUEEZER
12 oz / 355 ml
REF 7741



KETCHUP SQUEEZER
12 oz / 355 ml
REF 7742



HOTDOG MINI CART
60x37x27 cm - 120 V / 1200 W
REF 7815





FISH BURGER 70G
40 x 70 g - 1 x 2.8 kg
REF 2202



FISH BURGER 100G
50 x 100 g - 1 x 5 kg
REF 2203



SEA FANTASY
30-35 g - 1 x 5 kg
REF 2200



LEKKERBEKJE
40 x 125 g - 1 x 5 kg
REF 2206



FISH BOX
173x88x65 mm - 500 pcs
REF 0193



FRIES & WEDGES



McCain

**ORIGINAL
FRENCH FRIES 6/6**

Fries with constant baking properties and optimal quality.

6 mm - 5 x 2.5 kg
REF 2605



McCain

**STAY CRISP \$\$\$
FRENCH FRIES 6/6**

Fries with a special layer so they stay hot and crispy for longer.

6 mm - 5 x 2.5 kg
REF 2603



McCain

**STAY CRISP \$\$\$
FRENCH FRIES 9/9**

Fries with a special layer so they stay hot and crispy for longer.

9 mm - 5 x 2.5 kg
REF 2606



McCain

**SURECRISP
FRY'N DIP SKIN ON**

V-shaped fries with skin and crispy coating.

4 x 2.5 kg
REF 2625



McCain

**SURECRISP
CRINKLE FRIES**

V-shaped fries with skin and crispy coating.

4 x 2.5 kg
REF 2626



Lamb Weston

**PRIVATE RESERVE
FRENCH FRIES 6/6**

Private Reserve® Fries have the authentic, natural taste of potato.

6 mm - 4 x 2.5 kg
REF 2607



Lamb Weston

**STEALTH \$\$\$
FRENCH FRIES 6/6**

These fries stay hotter and crispier up to twice as long.

6 mm - 4 x 2.5 kg
REF 2629



Lamb Weston

**PRIVATE RESERVE
FRENCH FRIES 9/9**

Private Reserve® Fries have the authentic, natural taste of potato.

9 mm - 4 x 2.5 kg
REF 2614



Lamb Weston

**HOT2HOME
FRENCH FRIES 6/6**

Coating with holding time of 20 min, for home delivery.

6 mm - 4 x 2.5 kg
REF 2608



McCain

**SWEET POTATO
FRENCH FRIES 11/11**

Fries with a special layer so they stay hot and crispy for longer.

11 mm - 4 x 2.5 kg
REF 2623



McCain

SPICY WEDGES

5 x 2.5 kg
REF 2600



Lamb Weston

ORIGINAL WEDGES

4 x 2.5 kg
REF 2601



Lamb Weston

CRINKLE WEDGES

4 x 2.5 kg
REF 2602



Lamb Weston

SEASONED TWISTERS

4 x 2.5 kg
REF 2619



McCain

POTATO TOAST

Seasoned shredded potatoes with eggs, used for burgers

100x12 mm - 4 x 2 kg
REF 2612



Lamb Weston

RÖSTI TOASTIE

Seasoned potatoes with onions, used for burgers

100x12 mm - 4 x 2 kg
REF 2613



**VEGETABLE
FRYING OIL**

15 L bag in box
REF 2092

APPETIZERS



Lamb Weston

CAMEMBERT BITES
6 x 1.0 kg
REF 2615



McCain

ONION RINGS
10 x 1.0 kg
REF 2622



Lamb Weston

ONION RINGS
6 x 1.0 kg
REF 2611



BEER BATTERED

Lamb Weston

ONION RINGS
6 x 1.0 kg
REF 2617



Arisco

CHURROS
4 x 1.0 kg
REF 2652



McCain

MOZZARELLA STICKS
6 x 1.0 kg
REF 2621



Lamb Weston

MOZZARELLA STICKS
6 x 1.0 kg
REF 2610



McCain

CHILI CHEESE NUGGETS
6 x 1.0 kg
REF 2620



Lamb Weston

CHILI CHEESE NUGGETS
6 x 1.0 kg
REF 2616



Lamb Weston

CHEDDAR CHEESE PEPPERS
6 x 1.0 kg
REF 2609



FOSTER'S FAMOUS

Burger Sauces



FOSTER SAUCES



BIG SAUCE
4 x 3 kg
REF 2454



CHICKEN CHEESE SAUCE
4 x 3 kg
REF 2456



HAMBURGER SAUCE
4 x 3 kg
REF 2467



BOSTON BURGER SAUCE
4 x 3 kg
REF 2469



BACON SAUCE
4 x 3 kg
REF 2550



TARTAR SAUCE
4 x 3 kg
REF 2513



MAYONNAISE
4 x 3 kg
REF 2514



MUSTARD
4 x 3 kg
REF 2519



BIG SAUCE
12 x 1 L
REF 2455



CHICKEN CHEESE SAUCE
12 x 1 L
REF 2457



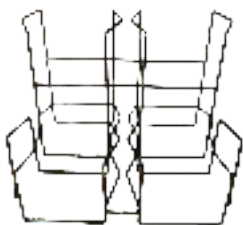
TEXAS BBQ SAUCE
12 x 1 L
REF 2459



BOSTON BURGER SAUCE
12 x 1 L
REF 2470



BIG SAUCE
1 x 10 L
REF 2453



SAUCE RACK
for 4 x 3 L buckets
REF 7002



SAUCE PUMP
for 3 L buckets
REF 7003



MORE SAUCES



ANDA KETCHUP
3 L
REF 2502



ANDA ANDALOUSE
3 L
REF 2507



ANDA SAMURAI
3 L
REF 2509



LIQUID CHEDDAR SAUCE
4 x 1 kg
REF 2108



TACO CHEESE SAUCE
6 x 1.5 kg
REF 2109



ILOU SAUCE SPICY MAYO
120 x 25 ml
REF 2586



ILOU SAUCE CEASAR
48 x 30 g
REF 2587



ILOU SAUCE PEPPER
2.65 kg
REF 2596



ILOU SAUCE BBQ CHIPOLTE
900 ml
REF 2592



ILOU SAUCE CHICKEN BACON
10 x 900 ml
REF 2594



VDM ANDALOUSE
120 x 40 ml
REF 2489



VDM VINAIGRETTE BIESLOOK
120 x 40 ml
REF 2492



ANDA VINAIGRETTE BIESLOOK
6 x 2 l
REF 2497



BIESLOOK VINAIGRETTE
2.3 kg
REF 2590



HONEY MUSTARD VINAIGRETTE
2.3 kg
REF 2588



CHILI THAI
2 x 5 L bags
REF 2528



ALGERIAN
2 x 5 L bags
REF 2530



BIGGY BURGER
2 x 5 L bags
REF 2531



KETCHUP
2 x 5 L bags
REF 2532



PEPPER
2 x 5 L bags
REF 2534



BARBECUE
2 x 5 L bags
REF 2535



ANDALOUSE
2 x 5 L bags
REF 2541

SAUCE CUPS



GYMA SWEET & SOUR
216 x 20 g
REF 2479



GYMA BARBECUE
216 x 20 g
REF 2480



GYMA CURRY
216 x 20 g
REF 2481



GYMA MAYONNAISE
144 x 33 g
REF 2482



GYMA KETCHUP
216 x 20 g
REF 2483



D&L MAYONNAISE
144 x 35 g
REF 0000



D&L KETCHUP
144 x 35 g
REF 0000



D&L FRITES
144 x 35 g
REF 0000



D&L BARBECUE
144 x 35 g
REF 0000



D&L SAMURAI
144 x 35 g
REF 0000



D&L ANDALOUSE
144 x 35 g
REF 0000



D&L COCKTAIL
144 x 35 g
REF 0000



D&L CURRY
144 x 35 g
REF 0000

PASTA



PENNE
4 x 2.5 kg
REF 2750



FUSILLI
4 x 2.5 kg
REF 2751



CAPELLINI
1 x 5.0 kg
REF 2752



PASTA CUP 460 ML
500 pcs
OP BESTELLING



PASTA CUP 750 ML
300 pcs
OP BESTELLING



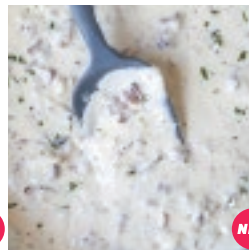
NEW

QUATTRO FROMAGGI
4 x 1.0 kg
REF 2575



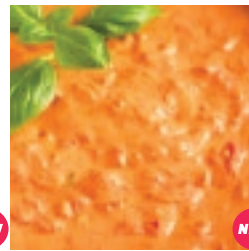
NEW

BOLOGNAISE SAUCE
1 x 2.0 kg
REF 2576



NEW

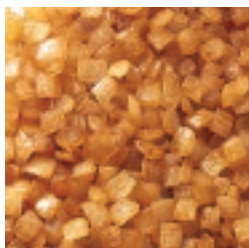
CARBONARA SAUCE
4 x 1.0 kg
REF 2577



NEW

TOMATO MASCARPONE
4 x 1.0 kg
REF 2578

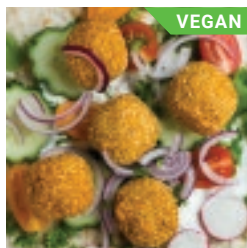




DICES ONIONS
1 x 10 kg
REF 6012



SLICED PEPPERS
4 x 2.5 kg
REF 6013



VEGAN FALAFEL
17 g - 3 x 1 kg bags
REF 2910



VEGAN MINCED MEAT
3 x 1 kg bags
REF 2911



VEGAN FALAFEL DISCS
10 x 1 kg bags
REF 2912



AUTHENTIC KEBAB
10 x 1 kg
REF 2017



HALAL TURKEY BACON
2 x 500 g
REF 2018



FLOUR TORTILLA
25.0 cm - 108 x 75 g
REF 2336



FLOUR TORTILLA
30.0 cm - 108 x 90 g
REF 2338



FRUIT POCKET MATERNE
24 x 90 g
REF 2191



SALT BAGS
1000 x 0.80 g
REF 2810



PEPPER BAGS
1000 x 0.14 g
REF 2812



SUGAR STICKS
1000 x 5 g
REF 2816



HAMBURGER SLICES
2 x 2300 g (3mm)
REF 2451

SOFT ICE



VEGETABLE SOFT ICE MIX
7% VF - 3 x 5 L cans (liquid)
REF 2820



VEGETABLE MILKSHAKE MIX
2.5% MF - 1 x 10 L bag (liquid)
REF 2823



FRUSCO GOLD ICE MIX
10% MF - 11 KG/ 10 L (liquid)
REF 2829



SPRINGCOOL SOFT ICE MIX
6% MF - 1 x 5 L bag (liquid)
REF 2135



LAKELAND MILKSHAKE MIX
3% VF - 1 x 5 L bag (liquid)
REF 2136



MIX CHOC
1100 g bin
REF 2831



MINI MARSHMALLOWS
350 g bin
REF 2834



OREO CRUMBS
400 g bag
REF 2836



MINI SMARTIES
1400 g bin
REF 2840



KITKAT CRUNCH
400 g bag
REF 2842



MEDIUM WAFFLE CONE
140 pcs
REF 2872



DANISH OUBLI
128 pcs
REF 2874



LUXE CORNET WAFFLE
264 pcs
REF 2875



RADARTOREN WAFFLE
168 pcs
REF 2876



DANISH OUBLIE XL
280 pcs
REF 2874



SALTED CARAMEL
500 ml bottle
REF 2852



STRAWBERRY
500 ml bottle
REF 2853



CHOCOLATE
500 ml bottle
REF 2854



TOFFEE CARAMEL
500 ml bottle
REF 2855



COOKIE DOUGH
500 ml bottle
REF 2859



VANILLA
2 L can
REF 2880



BANANA
2 L can
REF 2882



STRAWBERRY
2 L can
REF 2881



CHOCOLATE
2 L can
REF 2883



MANGO
2 L can
REF 2889

DESSERTS



COOKIE DOUGH
8 x 465 ml
REF 2140



CHOC. FUDGE BOWNIE
8 x 465 ml
REF 2141



CHUNKEY MONKEY
8 x 465 ml
REF 2142



PEANUT BUTTERCUP
12 x 100 ml
REF 2145



CHOC. FUDGE BOWNIE
12 x 100 ml
REF 2147



COOKIE DOUGH
12 x 100 ml
REF 2148



STRAWBERRY CHEESECAKE
12 x 100 ml
REF 2149



TIRAMISU SPECULOOS
12 x 110 g
REF 2162



TIRAMISU OREO
12 x 110 g
REF 2163



TIRAMISU SNICKERS
12 x 110 g
REF 2164



TIRAMISU BUENO
12 x 110 g
REF 2165



CHEESECAKE MANGO
12 x 110 g
REF 2166



CHEESECAKE LEMON
12 x 110 g
REF 2167



DOUBLE CHOCOLATE
24 x 75 g
REF 2171



CHOCOLATE
20 x 90 g
REF 2186



DOUBLE BLUEBERRY
20 x 105 g
REF 2187



CARAMEL SPECULOOS
20 x 105 g
REF 2189



STRACCIATELLA
20 x 105 g
REF 2190



ALMONDY CAKE DAIM
12 x 80 g
REF 2179



ALMONDY CAKE MILKA
12 x 80 g
REF 2180



ALMONDY CAKE TOBLERONE
12 x 80 g
REF 2181

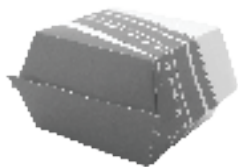


WRAPPED BROWNIES
25 x 80 g | 60x80 mm
REF 2174



VEGAN MOELLEUX
12 x 90 g
REF 2182

BURGER BOXES



BURGERBOX FFF GREY
100x100x65 mm - 500 pcs
REF 0501



BURGERBOX FFF YELLOW
100x100x65 mm - 500 pcs
REF 0502



BURGERBOX FFF BLUE
100x100x65 mm - 500 pcs
REF 0503



BURGERBOX FFF RED
100x100x65 mm - 500 pcs
REF 0504



BURGERBOX FFF GREEN
100x100x65 mm - 500 pcs
REF 0505



BURGERBOX FFF - LARGE
120x120x70 mm - 500 pcs
REF 0506



BURGERBOX KRAFT SMALL
100x100x65mm - 500pcs
REF 0491



BURGERBOX KRAFT LARGE
120x120x70 mm - 500 pcs
REF 0493



BURGERBOX BLACK SMALL
100x100x65mm - 500pcs
REF 0492



BURGERBOX BLACK LARGE
120x120x70 mm - 500 pcs
REF 0494



BURGERBOX GOURMET SMALL
100x100x65 mm - 500 pcs
REF 0500



BURGERBOX GOURMET LARGE
120x120x70 mm - 500 pcs
REF 0507



BURGERBOX BROWN SMALL
105x105x55 mm - 600 pcs
REF 0497



BURGERBOX BROWN GIANT
150x150x75 mm - 300 pcs
REF 0499

BURGER PAPER



**BURGER PAPER
GOURMET LARGE**
30x40 cm - 5000 pcs
REF 0013



**BURGER PAPER
GOURMET SMALL**
25x32 cm - 5000 pcs
REF 0014



**BURGER PAPER
YELLOW**
25x32 cm - 5000 pcs
REF 0016



**BURGER PAPER
RED**
25x32 cm - 5000 pcs
REF 0017



**BURGER PAPER
BLUE**
25x32 cm - 5000 pcs
REF 0018



**BURGER PAPER
"TIMES" SMALL**
31x31 cm - 4000 pcs
REF 0021



**BURGER PAPER
"TIMES" LARGE**
31x38 cm - 4000 pcs
REF 0022



**BURGER PAPER
"FITIPALDI" BLACK**
28x34 cm - 4000 pcs
REF 0023



**BURGER PAPER
"FITIPALDI" RED**
28x34 cm - 4000 pcs
REF 0026



**BURGER PAPER
"PAROLE" ORANGE**
28x34 cm - 4000 pcs
REF 0028



**BURGER PAPER
"FEEL GREEN" KRAFT**
28x34 cm - 4000 pcs
REF 0027



**BURGER BAG
"TIMES" SMALL**
13x14 cm - 6000 pcs
REF 0024



**BURGER BAG
"TIMES" LARGE**
16x16.5 cm - 5000 pcs
REF 0025



**BURGER PAPER DISPENSER
2 LAYERS**
37x30x29 cm
REF 7012



SCOOPS & TRAYS



FRY SCOOP SMALL FFF
125x125 mm - 1000 pcs
REF 0520



FRY SCOOP LARGE FFF
145x130 mm - 1000 pcs
REF 0521



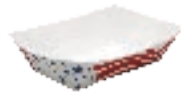
FRY SCOOP SMALL GOURMET
125x125 mm - 1000 pcs
REF 0519



FRY SCOOP LARGE GOURMET
145x130 mm - 1000 pcs
REF 0522



SCOOP BROWN
140x115 mm - 1000 pcs
REF 0164



FOODTRAY US FLAG #50
85x50 mm - 100 pcs
REF 0401



FOODTRAY US #200
115x65 mm - 1000 pcs
REF 00402



FOODTRAY US FLAG #250
125x80 mm - 500 pcs
REF 0406



FOODTRAY US #300
130x80 mm - 500 pcs
REF 0407



FOODTRAY US FLAG #500
170x90 mm - 500 pcs
REF 0403



LUNCH TRAY BROWN
205x130 mm - 500 pcs
REF 0408



FRY CONE SSUPA
147x210 mm - 500 pcs
REF 0162



FRY BAG NEWSPAPER
120x120 mm - 8000 pcs
REF 0163



FRY BAG - SMALL
120x90 mm - 8000 pcs
REF 0165



BUCKETS & BOXES



CHICKEN BUCKET 40 OZ + LID
1200 ml - 500 pcs
REF 0187



CHICKEN BUCKET 60 OZ + LID
1900 ml - 240 pcs
REF 0186



CHICKEN BUCKET 85 OZ + LID
2500 ml - 160 pcs
REF 0188



CHICKEN BUCKET 130 OZ + LID
3850 ml - 120 pcs
REF 0189



DINNER BOX FC0 SMALL
144x85x60 mm - 400 pcs
REF 0183



DINNER BOX FC1 MEDIUM
175x105x70 mm - 300 pcs
REF 0184



DINNER BOX FC3 LARGE
225x120x75 mm - 200 pcs
REF 0185



CHICKEN BOX SMALL
140x88x65 mm - 500 pcs
REF 0191



CHICKEN BOX MEDIUM
173x88x65 mm - 500 pcs
REF 0190



REF	DESCRIPTION	NUGG	WING	TENDER	DRUM
0182	CHICKEN BUCKET SQUARE	90	40	32	16
0183	DINNER BOX FC01 SMALL	8	5	4	2
0184	DINNER BOX FC1 MEDIUM	16	10	7	4
0185	DINNER BOX FC3 LARGE	30	15	10	6
0186	CHICKEN BUCKET 64oz	36	16	14	6
0187	CHICKEN BUCKET 40oz	24	10	10	4
0188	CHICKEN BUCKET 85oz	55	24	20	9
0189	CHICKEN BUCKET 130oz	80	36	30	15

The number is indicative and may vary depending on how the packaging is filled.

PAPER BAGS



PAPER BAG BROWN #4
120x80x240 mm - 1000 pcs
REF 0280



PAPER BAG BROWN #12
180x120x290 mm - 1000 pcs
REF 0282



PAPER SHOPPER BROWN
200x100x280 mm - 250 pcs
REF 0284



PAPER SHOPPER BROWN
260x140x320 mm - 250 pcs
REF 0283



PAPER BAG WHITE #4
120x80x240 mm - 1000 pcs
REF 0290



PAPER BAG WHITE #6
150x90x280 mm - 1000 pcs
REF 0291



PAPER BAG WHITE #12
180x100x340 mm - 500 pcs
REF 0292



PAPER SHOPPER WHITE
260x140x320 mm - 250 pcs
REF 0293



MEAL BOX GIRL
201x110x120 mm - 250 pcs
REF 0211



MEAL BOX BOY
201x110x120 mm - 250 pcs
REF 0212



KIDS BOX CREATURE PARTY
152x100x102 mm - 250 pcs
REF 0215



KIDS BOX BUGS & SLUGS
152x100x102 mm - 250 pcs
REF 0216



KIDS BOX SPOOKY TIME
152x100x102 mm - 250 pcs
REF 0219



MIXED TOYS FOR GIRLS
48 pcs
REF 0629



MIXED TOYS FOR BOYS
48 pcs
REF 0630



MIXED TOYS FOR GIRLS
48 pcs
REF 0640



MIXED TOYS FOR BOYS
48 pcs
REF 0641



MIXED TOYS FOR BOYS & GIRLS
48 pcs
REF 0643



HIGH CHAIR NATURAL
50x50x75 cm
REF 7900



HIGH CHAIR WALNUT
50x50x75 cm
REF 7901

CUPS & LIDS



CARRY TRAY 2 CUP
600 pcs
REF 0156



LID SUNDAE
1000 pcs
REF 0111



CUP SUNDAE 200 ML
1000 pcs
REF 0110



LID FOR SHUFFLE
1000 pcs
REF 0113



LID FOR 0135 & 0136
1000 pcs
REF 0143



CUP SHUFFLE 250 ML
1000 pcs
REF 0112



CUP MILKSHAKE 300 ML
1000 pcs
REF 0115



CUP MILKSHAKE 400 ML
1000 pcs
REF 0116



CUP PAROLE 480 ML
1000 pcs
REF 0135



CUP MILKSHAKE 500 ML
1000 pcs
REF 0117



LID FOR 0133 & 0134
2000 pcs
REF 0142



CUP FEEL GREEN 360 ML
2000 pcs
REF 0134



LID FOR 0131 & 0132
2000 pcs
REF 0141



CUP PAROLE 270 ML
2500 pcs
REF 0131



LID FOR COFFEE
1000 pcs
REF 0138



CUP COFFEE 180 ML
1000 pcs
REF 0137



CAKE CONTAINER
720 pcs
REF 0056



SALAD BOWL 750 ML
132x60 mm - 360 pcs
REF 0061



SALAD BOWL 1000 ML
132x81 mm - 360 pcs
REF 0062



LID FOR SALAD BOWLS
for 0061 & 0062 - 360 pcs
REF 0064



FORK BAMBOO
170 mm - 100 pcs
REF 0081



KNIFE BAMBOO
170 mm - 100 pcs
REF 0083



DESSERT SPOON WOOD
125 mm - 100 pcs
REF 0085



SET FORK, KNIFE & NAPKIN
160 mm - 100 pcs
REF 0086



PAPER STRAWS BLACK
8x210 mm - 100 pcs
REF 0092



PAPER STRAWS MULTICOLOR
6x200mm - 250 pcs
REF 0093



PAPER STRAWS COMPOSTABLE
12x210 mm - 1000 pcs
REF 0121



HAND TOWEL ROLL
137 m - 6 pcs
REF 0309



LEMON WIPES
75x60 mm - 500 pcs
REF 0316



HAND TOWEL ZIG-ZAG
23x24 cm - 3200 pcs
REF 0314



DISPENSER NAPKINS
31x41 cm - 5400 pcs
REF 0321



NAPKINS
33x33 cm - 4500 pcs
REF 0323



GARBAGE BAG LDPE
140 L - 120x80 cm - 200 pcs
REF 0313



HAND CLEANING GEL
24 x 500 ml
REF 8004

SAUCE DISPENSERS



FEATURES

- Narrow design for less table space
- Capacity: 32 oz (907 g) above refill line
- Pump-action lever for portion control
- Ketchup dispenser: 1/3 oz (10 ml)
- Mustard dispenser: 1 oz (30 ml)
- Easy calibration - no tools required
- Cover attachment to reduce loss

TIPS & GUIDES

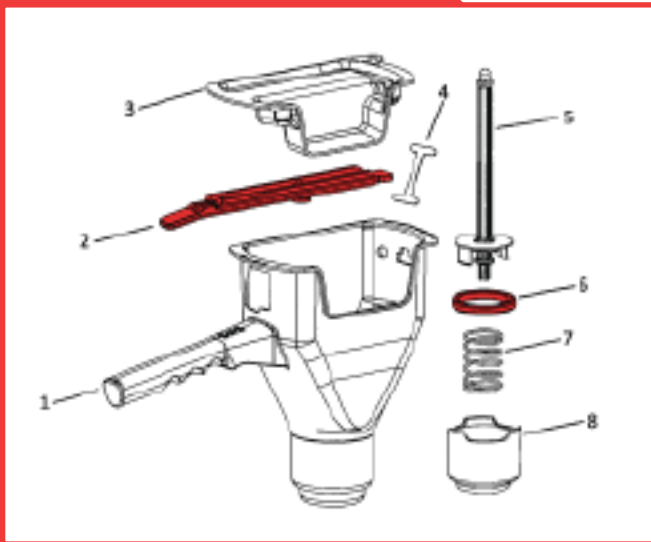
- Parts are not sold individually but in kits
- Add sauce BEFORE installing the lever
- Hand wash parts only. No dishwasher

DUAL BASE FOR 460-AN & 398-CN (REF 7100)
SINGLE BASE FOR 460-AN & 398-CN (REF 7101)

PRINCECASTLE

KETCHUP DISPENSER 406-AN

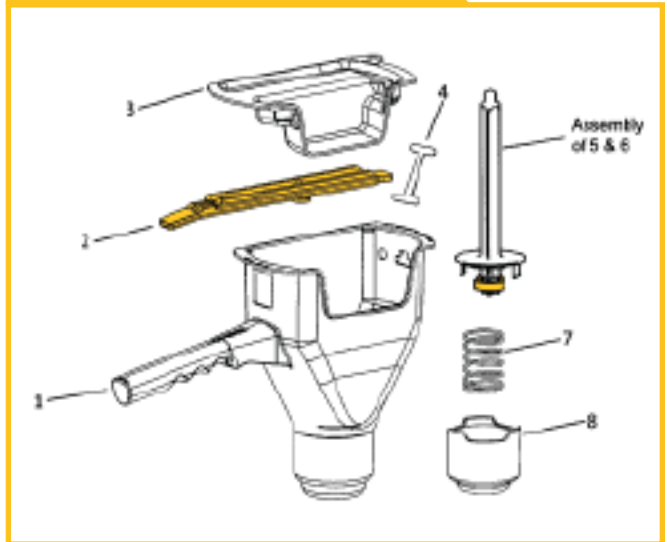
REF 7102



#	PART NO.	DESCRIPTION	FUNCTION
1	406-151	Narrow Container	Holds all internal parts and provides reservoir
2	404-068	Lever	Forces piston to push ketchup out
3	406-152	Narrow Lid	Keeps ketchup from drying out
4	404-13	Tether	Secures lid to container
5	404-067	Piston Push Rod	Pushes piston down when lever is pressed
6	404-069	Piston Ring	Works in conjunction with piston
7	407-007	Piston Spring	Returns piston and lever upwards
8	404-066	Cylinder	Holds the ketchup

MUSTARD DISPENSER 398-CN

REF 7103



#	PART NO.	DESCRIPTION	FUNCTION
1	398-112	Narrow Container	Holds all internal parts and provides reservoir
2	404-070	Lever	Forces piston to push mustard out
3	406-152	Narrow Lid	Keeps mustard from drying out
4	404-13	Tether	Secures lid to container
5	404-072	Piston Push Rod	Pushes piston down when lever is pressed
6	404-071	Piston Ring	Works in conjunction with piston
7	407-007	Piston Spring	Returns piston and lever upwards
8	404-066	Cylinder	Holds the mustard

SAUCE DISPENSERS



KETCHUP SQUEEZER
12 oz / 355 ml
REF 7741



KETCHUP SQUEEZER
12 oz / 355 ml
REF 7742



DUALWAY 3 TIP TOP
16 oz / 470 ml
REF 7743



DUALWAY 3 TIP TOP
24 oz / 710 ml
REF 7744



INVERTED VALVE TOP
12oz / 355 ml
REF 7747



INVERTED VALVE TOP
16 oz / 470 ml
REF 7748



INVERTED VALVE TOP
24 oz / 710 ml
REF 7745



SAUCE GUN 2/3OZ
18.89 g
REF 7104



SAUCE GUN 1/3OZ
9.35 g
REF 7120



SAUCE GUN 10Z
28.35 g
REF 7123



BOTTLE 630ML 1-HOLE
6-pack
REF 7124



BOTTLE 630ML 3-HOLE
6-pack
REF 7125



BOTTLE 769ML
9-pack
REF 7107



BOTTLE STORAGE TRAY
for 10 bottles
REF 7108



PORTION PAL KIT 709ML
dispenser + 3x3-hole bottles
REF 7126



BOTTLE 709ML 3-HOLE
6-pack
REF 7128



PORTION PAL KIT 709ML
dispenser + 3x1-hole bottles
REF 7129



BOTTLE 709ML 1-HOLE
6-pack
REF 7127



TRAYS & BASKETS



SERVING BASKET GREEN
200x200x50 mm
REF 7749



SERVING BASKET RED
200x200x50 mm
REF 7752



OVAL JUMBO BASKET RED
300x230x50 mm
REF 7753



OVAL JUMBO BASKET BLACK
300x230x50 mm
REF 7754



PLATTER BASKET RED
270x180x140 mm
REF 7758



PLATEAU POLY WHITE
345x265 mm - 100 pcs
REF 7428



PLATEAU POLY VIOLET
345x265 mm - 100 pcs
REF 7429



PLATEAU POLY BLACK
345x265 mm - 100 pcs
REF 7430



PLATEAU POLY YELLOW
345x265 mm - 100 pcs
REF 7431



PLATEAU POLY BROWN
345x265 mm - 100 pcs
REF 7432



PLATEAU POLY RED
345x265 mm - 100 pcs
REF 7433



PLATEAU POLY GREEN
345x265 mm - 100 pcs
REF 7434



PLATEAU POLY BLUE
345x265 mm - 100 pcs
REF 7435



PLATEAU POLY GREY
345x265 mm - 100 pcs
REF 7436



PLATEAU ABS POLY BEIGE
435x305 mm - 50 pcs
REF 7437



PLATEAU ABS POLY RED
435x305 mm - 50 pcs
REF 7440



PLATEAU ABS POLY BROWN
435x305 mm - 50 pcs
REF 7441



PLATEAU ABS NORDIC WHITE
360x280 mm - 50 pcs
REF 7442





SALT SHAKER
295 ml
REF 7612



STRAW DISP. DOUBLE
240x180x194 mm
REF 7702



STRAW DISPENSER S/S
-
REF 7704



TABLE TENT "RESERVED" CAKE STAND WITH COVER
12 cm
REF 7021



30 cm
REF 7013



RUBBER SPATULA
25 cm
REF 7032



GRILL SCRAPER 161
35x15 cm
REF 7034



GRILL WIPER 233
-
REF 7040



GRILL SCRAPER
35x15 cm
REF 7031



REPLACEMENT BLADE
15x4.5 cm
REF 7035



REPLACEMENT WIPER 233
4 pcs
REF 7041



MEATPRESS
15x58 cm
REF 7132



HAMBURGER TURNER
blade 76x127 mm - PS197
REF 7140



HAMBURGER TURNER
blade 101x203 mm - PS19008
REF 7142



HAMBURGER TURNER
blade 102x152 mm - PS19075
REF 7143



HAMBURGER TURNER
blade 101x203 mm - 19075
REF 7144



FRY SCOOP INOX
Double handle
REF 7151



FRY SCOOP NYLON
Double handle
REF 7152



POM TONGS 6.5"
165 mm - IT646
REF 7160



UTILITY TONGS 10"
254 mm - UT975
REF 7161



HEAVY DUTY TONGS 12"
305 mm - HDUT1200
REF 7164



HEAVY DUTY TONGS 16"
406mm - HDUT1600
REF 7163



FRY BASKET
Henny Penny
REF 7820



BRUSH KIT
Henny Penny
REF 7821



CLEANING PADS
10 pcs
REF 7954



CLEANING HOLDER
-
REF 7955



LONG SHEET ROLL
9 pcs
REF 7957



HEAT&OIL RESIST. GLOVES
-
REF 7956

Vakmanschap in horecatoestellen en koel- en vriesinfrastructuur

Proqitchen is de divisie binnen Airquality die zich volledig richt op **koel- en vriesapparatuur** en gespecialiseerde horecatoestellen zoals professionele **friteuses van Henny Penny, Garland grills en Linclon pizza-bandovens**. Wij streven naar een maximale meerwaarde voor onze klanten door het aanbieden van de juiste kwaliteitstoestellen, aangepast aan en gecalculeerd voor de specifieke behoeftes van elke horecazaak.

Une expertise dans les appareils de restauration et des appareils de réfrigération et de congélation

Proqitchen est une division d'Airquality, le spécialiste des appareils de réfrigération et de congélation et des appareils de restauration tels que les friteuses professionnelles de Henny Penny, les grilles de Garland et les fours à pizza convoyeur Lincoln. Nous nous employons à créer une valeur ajoutée maximale pour nos clients en offrant des appareils de qualité et parfaitement adaptés aux besoins.

www.proqitchen.be



FRITEUSE OPEN / OUVERTE



Besparingen op frituurvet en energiekosten

Binnen het gamma van Henny Penny nemen de open friteuses een belangrijke plaats in. Afhankelijk van het beoogde verwerkingsvolume bestaan er **verschillende formaten** met specifieke oppervlaktes en extra functionaliteiten. **U bespaart zo tot 40% olie** door het gebruik van een Henny Penny Evolution Elite friteuse. Dit is niet alleen goed voor de portefeuille van u als ondernemer, maar ook voor de gezondheid van uw klant. Als horeca ondernemer moet u kunnen rekenen op uw toestellen, want een keuken moet efficiënt kunnen functioneren.

Économisé sur l'huile de friture et les coûts d'énergie

Les friteuses ouvertes jouent un rôle important dans la gamme Henny Penny. Selon le volume de traitement prévu, il existe **différents formats** avec des surfaces spécifiques et des fonctionnalités supplémentaires. **Vous pouvez économiser jusqu'à 40% d'huile** en utilisant une friteuse profonde Henny Penny Evolution Elite. Cela n'est pas seulement bon pour votre portefeuille d'entrepreneurs, mais également pour la santé de vos clients. En tant qu'entrepreneur dans l'horeca, vous devez pouvoir compter sur vos appareils, car une cuisine doit pouvoir fonctionner efficacement.

www.hennypenny.be

DRUKFRITEUSE / FRITEUSE À PRESSION

**Smaakvolle & sappige kip uit de drukfriteuse
Minder verbruik: goed voor portemonnee en gezondheid**

Bij een drukfriteuse bakt het voedsel in olie en onder druk. Deze druk ontstaat door het sluiten van het deksel over de frituurpot. Drukfriteuses zijn uitermate geschikt voor het bakken van grote volumes kip, maar ook van andere snacks of gerechten. Het vocht en de smaak blijven in de kip, met minder olie in het product zelf.

Poulet savoureux et juteux de la friteuse à pression

Moins de consommation: bon pour votre porte-monnaie et votre santé

Avec une friteuse à pression, les aliments cuire dans l'huile et sous pression. Cette pression est créée en fermant le couvercle sur la poêle à frire. Les friteuses à pression sont idéales pour frire de grandes quantités de poulet, mais également pour d'autres snacks ou plats. L'humidité et le goût restent dans le poulet, avec moins d'huile dans le produit lui-même.

www.hennypenny.be





XPRESS GRILL

Dubbelzijdig grillen met Garland

De bovenste en onderste bakplaat van de Xpress grill bakt beide zijden gelijktijdig en zorgt voor een 50% kortere baktijd. De zeer juiste temperatuurcontrole zorgt ervoor dat alle voeding wordt gegrild tot de juiste "hart" temperatuur en garandeert dat iedere gebruiker dezelfde kwaliteitsstandaard bereikt. De snelle recoverytijd en korte opwarmperiode zorgen voor energiebesparing tussen de piekperiodes tijdens het bakken.

Griller des deux côtés avec Garland

Les plaques de cuisson supérieure et inférieure du Xpress grill cuisent les deux côtés simultanément et garantissent un temps de cuisson réduit de 50%. Le contrôle très correct de la température garantit que tous les aliments sont grillés à la bonne température "coeur" et garantit que chaque utilisateur atteint le même niveau de qualité. Le temps de récupération rapide et la courte période de réchauffement assurent des économies d'énergie entre les périodes de pointe de la cuisson.

www.garlandgrills.be



PIZZA BANDOVEN / FOURS À PIZZA



In korte tijd een grote hoeveelheid pizza's bereiden

De ovens beschikken over een gepatenteerde airflow-technologie om de baktijd voor items zoals pizza met 30% te verminderen. Bovendien kunt u in deze bandovens niet alleen heel goed pizza's bereiden, maar ook tal van andere heerlijke maaltijden. De Lincoln pizza bandoven is relatief klein van afmeting, maar zeer krachtig en met een grote inhoud. De pizzaoven is gemaakt van roestvrijstaal. Bij grote bakcapaciteit kan men de pizza bandoven stapelen tot maximaal drie ovens.

Préparez une grande quantité de pizzas en peu de temps

Les fours ont une technologie brevetée de circulation d'air permettant de réduire de 30% le temps de cuisson des articles tels que les pizzas. En outre, vous pouvez non seulement préparer de très bonnes pizzas dans ces fours à bande, mais également de nombreux autres plats délicieux. Le four à pizza convoyeur Lincoln est de taille relativement petite, mais très puissant et avec un contenu volumineux. Le four à pizza est en acier inoxydable. Avec une grande capacité de cuisson, le four à bande peut être empilé pour un maximum jusqu'aux trois fours.

www.lincolnovens.be

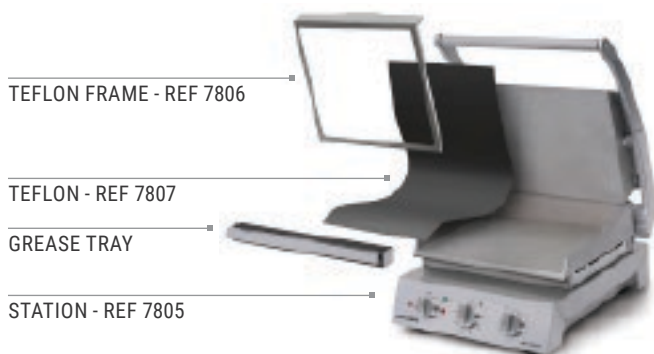
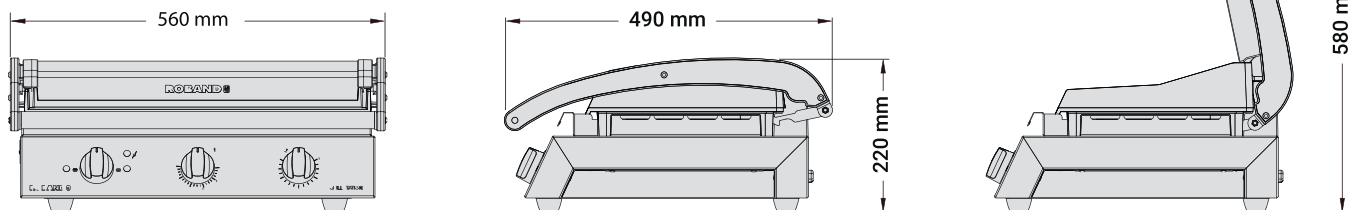
GRILL STATION

Deze duurzame, veelzijdige en consistent presterende grillapparaten behouden smaak, sappen en voedings-stoffen en kunnen zowel niet alleen gebruikt worden voor gegrilde panini's, focaccia's en sandwiches, als voor mals gegrild of geschroeid vlees, vis en gevogelte. Alle Roband Grill Stations zijn ontworpen voor 220-240V 50-60Hz en zijn CE-gecertificeerd.

Ces appareils de gril durables, polyvalents et performants conservent la saveur, les jus et les nutriments et peuvent être utilisés non seulement pour les paninis, les focaccia et les sandwichs grillés, mais également pour la viande, le poisson et la volaille grillés ou grillés. Toutes les stations Roband Grill sont conçus pour 220-240V 50-60Hz et sont certifiés CE.



Dimensions



Features

- For the preparation of grilled bakery products such as panini's, focaccia's and sandwiches, but also skewers.
- Quality high pressure die-cast aluminium cooking plates with cast-in elements for efficient, directional and effective heat transfer.
- Even temperature distribution across each plate.
- Angled control panel for clear visibility of settings.
- Optional Grill Sheet (PTFE) and retainer clip keeps the plates clean, prevents food sticking and is removable
- Power: 2990 Watt



A BEVIL
EN VERMOEDING

A BEVIL
EN VERMOEDING



Procter Fast Feed
Post: 10, 11, 12, 13, 14, 15, 16, 17, 18, 19, 20, 21, 22, 23, 24, 25, 26, 27, 28, 29, 30, 31, 32, 33, 34, 35, 36, 37, 38, 39, 40, 41, 42, 43, 44, 45, 46, 47, 48, 49, 50, 51, 52, 53, 54, 55, 56, 57, 58, 59, 60, 61, 62, 63, 64, 65, 66, 67, 68, 69, 70, 71, 72, 73, 74, 75, 76, 77, 78, 79, 80, 81, 82, 83, 84, 85, 86, 87, 88, 89, 90, 91, 92, 93, 94, 95, 96, 97, 98, 99, 100

VOLVO

FV

Procter Fast Feed vva.
Gen. De Witselaan 13
2800 Mechelen
Tel. 01528 16 15

330

RJA-151



**DISTRIBUTOR AND
APPROVED HALAL SUPPLIER
OF FAST FOOD PRODUCTS**

Since 1985